

Cannon

1W | 3W

Housing Colors **BL** **GR**

Color Temperatures **3000K** **4000K**

Electrical Specification

Input AC Voltage (V)	ACC200-220V
Frequency (Hz)	50 Hz
Power Factor	>0.95
Driver Efficiency	>85%
Inbuilt Surge Protection	3KV

Optical Parameters

Primary Optics	PMMA Lens
Secondary Optics	-
Beam angle	16°/22°/47°
Beam Direction	Adjustable

Product Material

Die Cast Aluminium

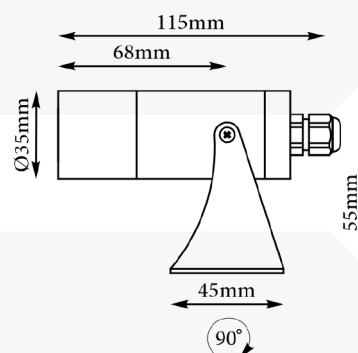
LED Parameters

CRI	>90
Binning	3 Step MacAdam
LED Lifetime	>50,000hrs

Wattage	Output@3000K	Output@4000K
1W	90lm	94lm
3W	208lm	218lm



*Honeycomb optional - check with representative



LED used	LED power/System power
High Power 3Vdc/350mA	1.1/1.4W
High Power 3Vdc/700mA	2.6/3.3W

Ordering Code

Cannon - 1W - BL - 3000K - 16°

Modify ordering code from given options: 3W GR 4000K 22°/47°

Safety & General Features

Rohs - Lead Free Solder | Operating Ambient Temperature - 0° to 50°C | Ingress Protection - IP65