

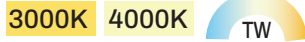
Cosmo | 10W



Housing Colors



Color Temperatures



Electrical Specification

Input AC Voltage (V)	ACC200-220V
Frequency (Hz)	50 Hz
Driver operating Voltage	200mA 36V DC
Power Factor	>0.95
Current THD	<10%
Driver Efficiency	>85%
Inbuilt Surge Protection	3KV

Optical Parameters

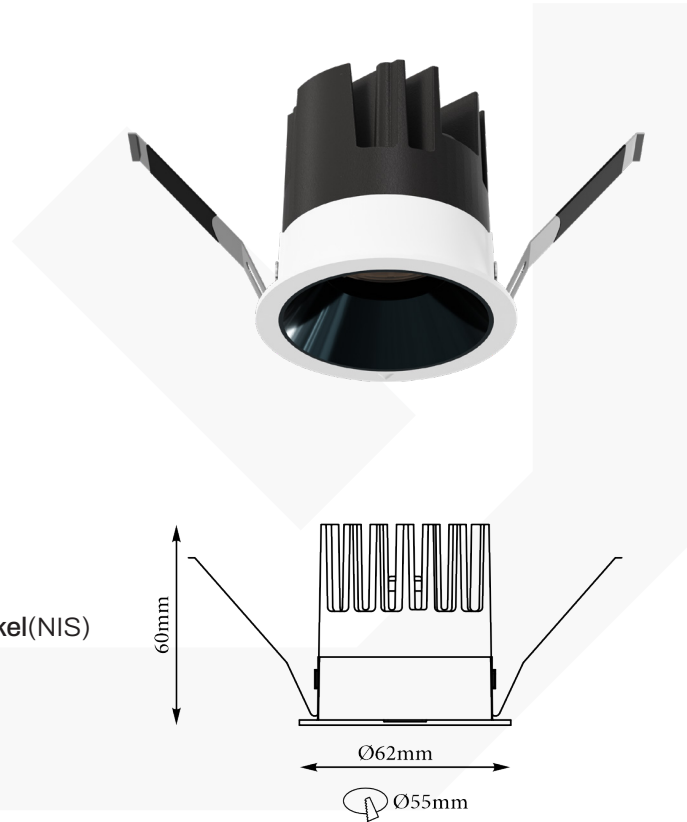
Primary	Lens optics
Secondary Reflector	Plastic - Chrome(CHS)/Gold(GS)/Nickel(NIS)
Beam Angle	27°/36°/49°
UGR	<18
Beam Direction	Fixed

Product Material

Pressure Die Cast Heat Sink & Aluminum Front Ring

LED Parameters

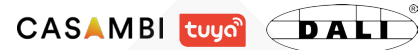
CRI	>90
Binning	3 Step MacAdam
LED Lifetime	>50000hrs
Lumen output (for 27°)	1192LM@3000K, 1252LM@4000K
LED Chip	COB 36Vdc/250mA
LED Wattage	8.8W
System Wattage	10.1W



Ordering Code

	Body Finish	CCT	Beam Angle	Sec. Reflector
CSM - 10W -	<u>BL</u>	<u>3000K</u>	<u>27°</u>	<u>CHS</u>
<small>Modify ordering code from given options:</small>	WH	4000K / TW	36°/49°	GS/NIS

Platforms supported



Protocols supported



Safety & General Features

Rohs - Lead Free Solder | Wires - Multi Core DC Output wire with connections Fire Retardant DC Wire | Operating Ambient Temperature - 10° to 50°C
Ingress Protection - IP20 | Mounting Parameters - Recess Mounting for Ceiling with Toggle option