

Bloom Soft Pendant | 28W



Housing Colors

BL

WH

Color Temperatures

3000K

4000K

Electrical Specification

Input AC Voltage (V)	ACC200-220V
Frequency (Hz)	50 Hz
Driver operating Voltage	700mA 36V DC
Power Factor	>0.95
Current THD	<10%
Driver Efficiency	>85%
Inbuilt Surge Protection	3KV

Optical Parameters

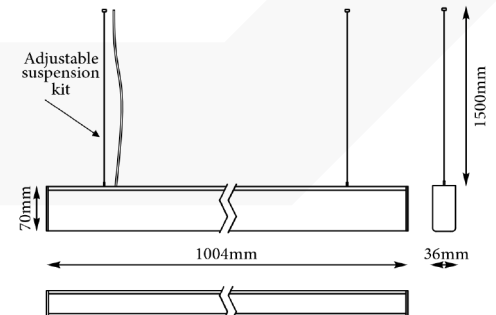
Primary Optics	Reflector - White optics
Diffuser	Opal PC
Beam Angle	107° general diffuse
UGR	<26
Beam Direction	Fixed

Product Material

Extruded Aluminium Housing & Aluminium Heat Sink

LED Parameters

CRI	>90
Binning	3 Step MacAdam
LED Lifetime	>50000hrs
Lumen output	2252LM@3000K, 2391LM@4000K
LED Chip	Mid Power LED 33-36Vdc/700mA
LED Wattage	24.5W
System Wattage	27.8W



Platforms/Protocols supported



Ordering Code

	Body Finish	CCT
Bloom Soft S - 28W -	<u>BL</u>	<u>3000K</u>
<small>Modify ordering code from given options:</small>	WH	4000K

Safety & General Features

Rohs - Lead Free Solder | Wires - Multi Core DC Output wire with connections Fire Retardant DC Wire | Operating Ambient Temperature - 10° to 50°C
Ingress Protection - IP20 | Mounting Parameters - Pendant Mounting for Ceiling with Length option.