

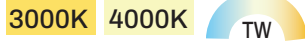
# Cosmo | 15W



Housing Colors



Color Temperatures



## Electrical Specification

Input AC Voltage (V)	ACC200-220V
Frequency (Hz)	50 Hz
Driver operating Voltage	200mA 36V DC
Power Factor	>0.95
Current THD	<10%
Driver Efficiency	>85%
Inbuilt Surge Protection	3KV

## Optical Parameters

Primary	Lens optics
Secondary Reflector	Plastic - Chrome(CHS)/Gold(GS)/Nickel(NIS)
Beam Angle	27°/36°/49°
UGR	<19
Beam Direction	Fixed

## Product Material

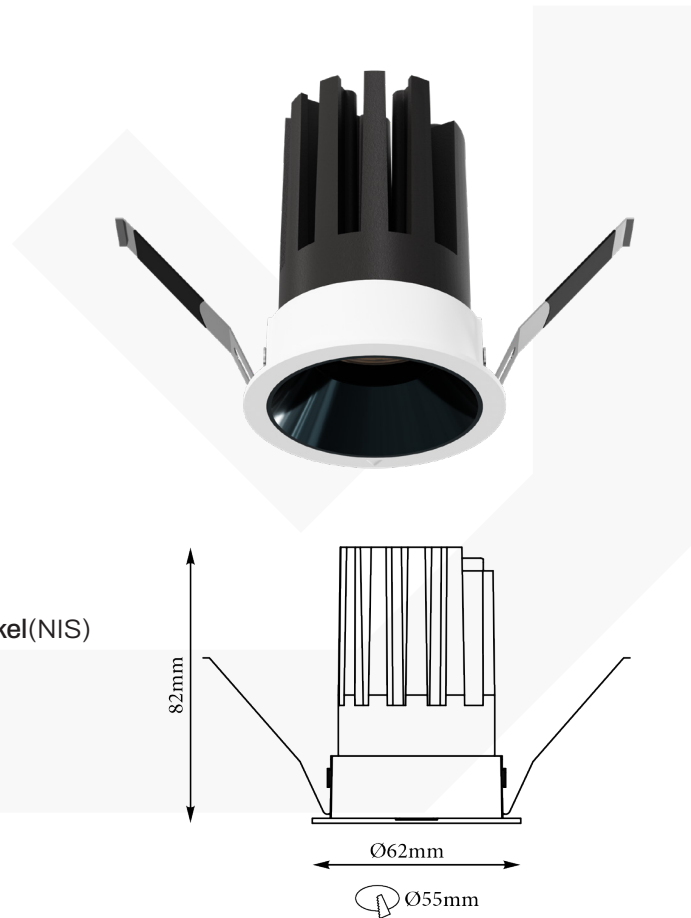
Pressure Die Cast Heat Sink & Aluminum Front Ring

## LED Parameters

CRI	>90
Binning	3 Step MacAdam
LED Lifetime	>50000hrs
Lumen output (for 36°)	1545LM@3000K, 1620LM@4000K
LED Chip	COB 36Vdc/350mA
LED Wattage	13.1W
System Wattage	15W

## Ordering Code

Body Finish	CCT	Beam Angle	Sec. Reflector
CSM - 15W - <u>BL</u> - 3000K - 27° - <u>CHS</u>			
<small>Modify ordering code from given options:</small>	WH 4000K / TW	36°/49°	GS/NIS



## Platforms supported



## Protocols supported



## Safety & General Features

Rohs - Lead Free Solder | Wires - Multi Core DC Output wire with connections Fire Retardant DC Wire | Operating Ambient Temperature - 10° to 50°C  
Ingress Protection - IP20 | Mounting Parameters - Recess Mounting for Ceiling with Toggle option