

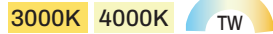
Cosmo Wallwash | 10W



Housing Colors



Color Temperatures



Electrical Specification

Input AC Voltage (V)	ACC200-220V
Frequency (Hz)	50 Hz
Driver operating Voltage	250mA 36V DC
Power Factor	>0.95
Current THD	<10%
Driver Efficiency	>85%
Inbuilt Surge Protection	3KV

Optical Parameters

Primary Reflector	Lens optics
Secondary Reflector	Aluminium - White(WHS)/Black(BLS)
Beam Angle	-
UGR	-
Beam Direction	Fixed (Asymmetric)

Product Material

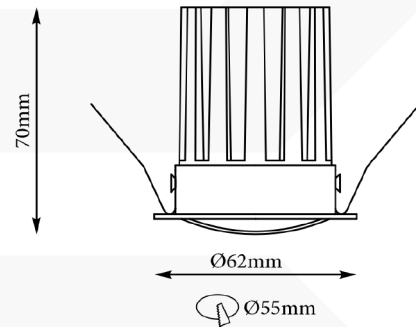
Aluminum Die cast Heat Sink & Front Ring

LED Parameters

CRI	>90
Binning	3 Step MacAdam
LED Lifetime	>50000hrs
Lumen output (for 34°)	796LM@3000K, 836LM@4000K
LED Chip	COB 36Vdc/250mA
LED Wattage	8.9W
System Wattage	10.2W

Ordering Code

	Body Finish	CCT	Sec. Reflector
CSM WW - 10W	<u>BL</u>	<u>3000K</u>	<u>WHS</u>
<small>Modify ordering code from given options:</small>	WH	4000K/TW	BLS



Platforms supported



Protocols supported



Safety & General Features

Rohs - Lead Free Solder | Wires - Multi Core DC Output wire with connections Fire Retardant DC Wire | Operating Ambient Temperature - 10° to 50°C
Ingress Protection - IP20 | Mounting Parameters - Recess Mounting for Ceiling