

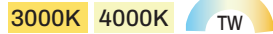
# Roxy AR | 8W



Housing Colors



Color Temperatures



## Electrical Specification

|                          |              |
|--------------------------|--------------|
| Input AC Voltage (V)     | ACC200-220V  |
| Frequency (Hz)           | 50 Hz        |
| Driver operating Voltage | 180mA 36V DC |
| Power Factor             | >0.95        |
| Current THD              | <10%         |
| Driver Efficiency        | >85%         |
| Inbuilt Surge Protection | 3KV          |

## Optical Parameters

|                     |   |
|---------------------|---|
| Primary Reflector   | Lens optics   |
| Secondary Reflector | Aluminium - White(WHS)/Black(BLS)<br>Gunmetal (GM)/Chrome (CH)/Gold (G) |
| Beam Angle          | 21°/27°/34°/47°   |
| UGR                 | <16   |
| Beam Direction      | Adjustable  |

## Product Material

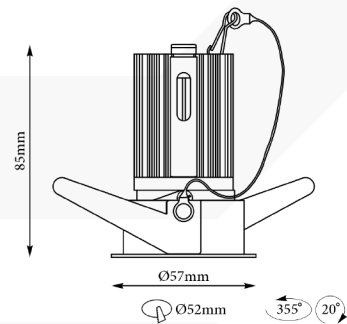
Aluminum Extrusion Heat Sink & Aluminum Front Ring

## LED Parameters

|                        |                          |
|------------------------|--------------------------|
| CRI                    | >90                      |
| Binning                | 3 Step MacAdam           |
| LED Lifetime           | >50000hrs                |
| Lumen output (for 34°) | 864LM@3000K, 904LM@4000K |
| LED Chip               | COB 36Vdc/180mA          |
| LED Wattage            | 7W                       |
| System Wattage         | 8W                       |

## Ordering Code

|   | Body Finish | CCT          | Beam Angle  | Sec. Reflector |
|---|-------------|--------------|-------------|----------------|
| RXY AR - 8W -   | <u>BL</u>   | <u>3000K</u> | <u>21°</u>  | <u>WHS</u>     |
| <small>Modify ordering code from given options:</small> | WH          | 4000K/TW     | 27°/34°/47° | BLS            |



## Platforms supported



## Protocols supported



## Safety & General Features

Rohs - Lead Free Solder | Wires - Multi Core DC Output wire with connections Fire Retardant DC Wire | Operating Ambient Temperature - 10° to 50°C  
Ingress Protection - IP20 | Mounting Parameters - Recess Mounting for Ceiling with Toggle option