

Orion | 18W



Housing Colors

BL

WH

Color Temperatures

3000K

4000K

TW

Electrical Specification

Input AC Voltage (V)	ACC200-220V
Frequency (Hz)	50 Hz
Driver operating Voltage	450mA 36V DC
Power Factor	>0.95
Current THD	<10%
Driver Efficiency	>85%
Inbuilt Surge Protection	3KV

Optical Parameters

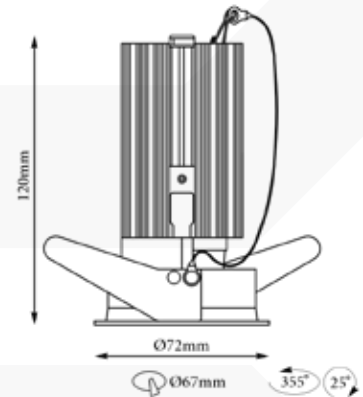
Primary	Lens optics
Secondary Reflector	Aluminium - White(WHS)/Black(BLS)
Beam Angle	26°/35°/55°
UGR	<18°
Beam Direction	Adjustable 25°

Product Material

Aluminum Extrusion Heat Sink & Aluminum Front Ring

LED Parameters

CRI	>90
Binning	3 Step MacAdam
LED Lifetime	>50000hrs
Lumen output (for 24°)	1486LM@3000K, 1557LM@4000K
LED Chip	COB 36Vdc/450mA
LED Wattage	15.6W
System Wattage	17.9W



Ordering Code

Body Finish	CCT	Beam Angle	Sec. Reflector
ORI - 18W - BL - 3000K - 26° - WHS			
<small>Modify ordering code from given options:</small>			
WH	4000K / TW	35°/55°	BLS

Platforms supported



Protocols supported



Safety & General Features

Rohs - Lead Free Solder | Wires - Multi Core DC Output wire with connections Fire Retardant DC Wire | Operating Ambient Temperature - 10° to 50°C
Ingress Protection - IP20 | Mounting Parameters - Recess Mounting for Ceiling with Toggle option