

Orion TL | 8W



Housing Colors **BL** **WH**
Color Temperatures **3000K** **4000K** **TW**

Electrical Specification

Input AC Voltage (V) **ACC200-220V**
Frequency (Hz) **50 Hz**
Driver operating Voltage **200mA 36V DC**
Power Factor **>0.95**
Current THD **<10%**
Driver Efficiency **>85%**
Inbuilt Surge Protection **3KV**

Optical Parameters

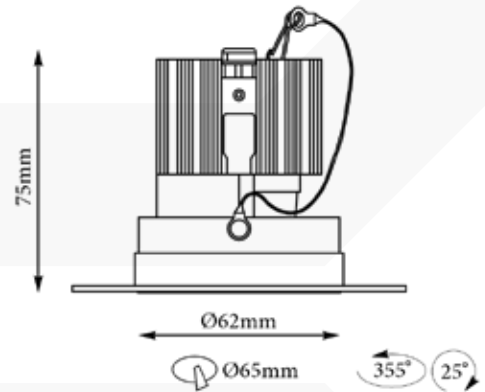
Primary **Lens optics**
Secondary Reflector **Aluminium - White(WHS)/Black(BLS)**
Beam Angle **24°/33°/50°**
UGR **<15°**
Beam Direction **Adjustable 25°**

Product Material

Aluminum Extrusion Heat Sink & Aluminum Front Ring

LED Parameters

CRI **>90**
Binning **3 Step MacAdam**
LED Lifetime **>50000hrs**
Lumen output (for 24°) **694LM@3000K, 725LM@4000K**
LED Chip **COB 36Vdc/180mA**
LED Wattage **6.8W**
System Wattage **7.8W**



Ordering Code

Body Finish	CCT	Beam Angle	Sec. Reflector
ORI TL - 8W - BL - 3000K - 23° - WHS			
<small>Modify ordering code from given options:</small>	WH	4000K / TW	33° / 50° BLS

Platforms supported



Protocols supported



Safety & General Features

Rohs - Lead Free Solder | Wires - Multi Core DC Output wire with connections Fire Retardant DC Wire | Operating Ambient Temperature - 10° to 50°C
Ingress Protection - IP20 | Mounting Parameters - Recess Mounting for Ceiling with Toggle option