

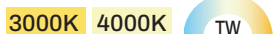
Roxy 2Way | 2x8W



Housing Colors



Color Temperatures



Electrical Specification

Input AC Voltage (V)	ACC200-220V
Frequency (Hz)	50 Hz
Driver operating Voltage	200mA 36V DC
Power Factor	>0.95
Current THD	<10%
Driver Efficiency	>85%
Inbuilt Surge Protection	3KV

Optical Parameters

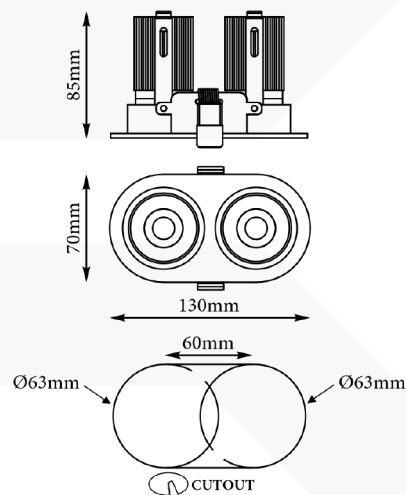
Primary Reflector	Lens optics
Secondary Reflector	Aluminium - White(WHS)/Black(BLS) Gunmetal (GM)/Chrome (CH)/Gold (G)
Beam Angle	21°/27°/34°/47°
UGR	<16
Beam Direction	Fixed

Product Material

Aluminum Extrusion Heat Sink & Aluminum Front Ring

LED Parameters

CRI	>90
Binning	3 Step MacAdam
LED Lifetime	>50000hrs
Lumen output (for 27°)	2x840LM@3000K, 2x878LM@4000K
LED Chip	COB 36Vdc/180mA
LED Wattage	2x6.5W
System Wattage	2x7.5W



Ordering Code

	Body Finish	CCT	Beam Angle	Sec. Reflector
RXY 2Way - 2x8W	- BL -	3000K	- 21° -	WHS
<small>Modify ordering code from given options:</small>	WH	4000K/TW	27°/34°/47°	BLS

Platforms/Protocols supported



Safety & General Features

Rohs - Lead Free Solder | Wires - Multi Core DC Output wire with connections Fire Retardant DC Wire | Operating Ambient Temperature - 10° to 50°C
Ingress Protection - IP20 | Mounting Parameters - Recess Mounting for Ceiling with Toggle option