

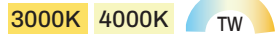
Orion 2Way | 2x18W



Housing Colors



Color Temperatures



Electrical Specification

Input AC Voltage (V)	ACC200-220V
Frequency (Hz)	50 Hz
Driver operating Voltage	450mA 36V DC
Power Factor	>0.95
Current THD	<10%
Driver Efficiency	>85%
Inbuilt Surge Protection	3KV

Optical Parameters

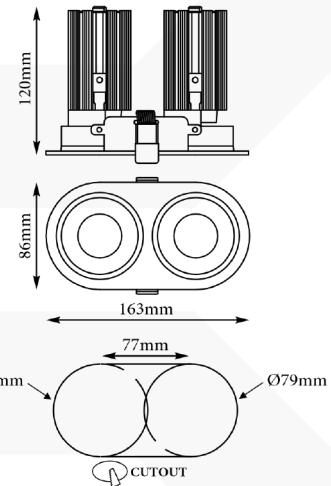
Primary Reflector	Lens optics
Secondary Reflector	Aluminium - White(WHS)/Black(BLS)
Beam Angle	26°/35°/55°
UGR	<18
Beam Direction	Adjustable 25°

Product Material

Aluminum Extrusion Heat Sink & Aluminum Front Ring

LED Parameters

CRI	>90
Binning	3 Step MacAdam
LED Lifetime	>50000hrs
Lumen output (for 26°)	2x1486LM@3000K, 2x1557LM@4000K
LED Chip	COB 36Vdc/450mA
LED Wattage	2x15.6W
System Wattage	2x17.9W



Ordering Code

	Body Finish	CCT	Beam Angle	Sec. Reflector
ORI 2Way - 2x18W -	<u>BL</u>	<u>3000K</u>	<u>26°</u>	<u>WHS</u>
<small>Modify ordering code from given options:</small>	WH	4000K/TW	35°/55°	BLS

Platforms supported



Protocols supported



Safety & General Features

Rohs - Lead Free Solder | Wires - Multi Core DC Output wire with connections Fire Retardant DC Wire | Operating Ambient Temperature - 10° to 50°C
Ingress Protection - IP20 | Mounting Parameters - Recess Mounting for Ceiling with Toggle option