

Snap Dark 6 | 8W



Housing Colors

BL

WH

Color Temperatures

3000K

4000K

TW

Electrical Specification

Input AC Voltage (V)	ACC200-220V
Frequency (Hz)	50 Hz
Driver operating Voltage	180mA 36V DC
Power Factor	>0.95
Current THD	<10%
Driver Efficiency	>85%
Inbuilt Surge Protection	3KV

Optical Parameters

Primary	PC Metallised reflector
Secondary Reflector	Black Raster – ABS
Beam Angle	34°/46°
UGR	<13
Beam Direction	Fixed

Product Material

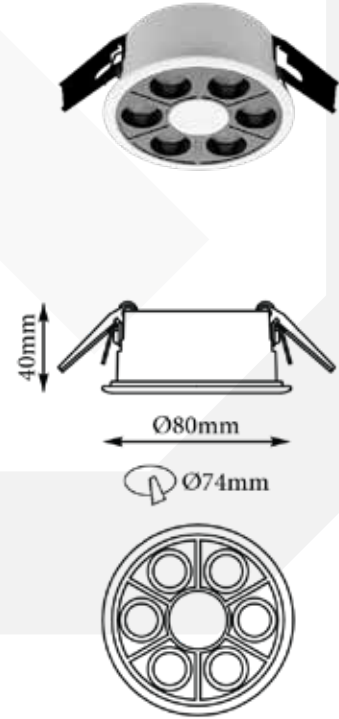
Pressure Die Cast Heat Sink & Aluminum Front Ring

LED Parameters

CRI	>90
Binning	3 Step MacAdam
LED Lifetime	>50000hrs
Lumen output (for 34°)	738LM@3000K, 771LM@4000K
LED Chip	COB 36Vdc/180mA
LED Wattage	7.1W
System Wattage	8.2W

Ordering Code

	Body Finish	CCT	Beam Angle
SNAP6 - 8W -	BL	3000K	34°
<small>Modify ordering code from given options:</small>	WH	4000K / TW	46°



Platforms supported



Protocols supported



Safety & General Features

Rohs - Lead Free Solder | Wires - Multi Core DC Output wire with connections Fire Retardant DC Wire | Operating Ambient Temperature - 10° to 50°C
Ingress Protection - IP20 | Mounting Parameters - Recess Mounting for Ceiling with Toggle option