

Snow mini | 5W



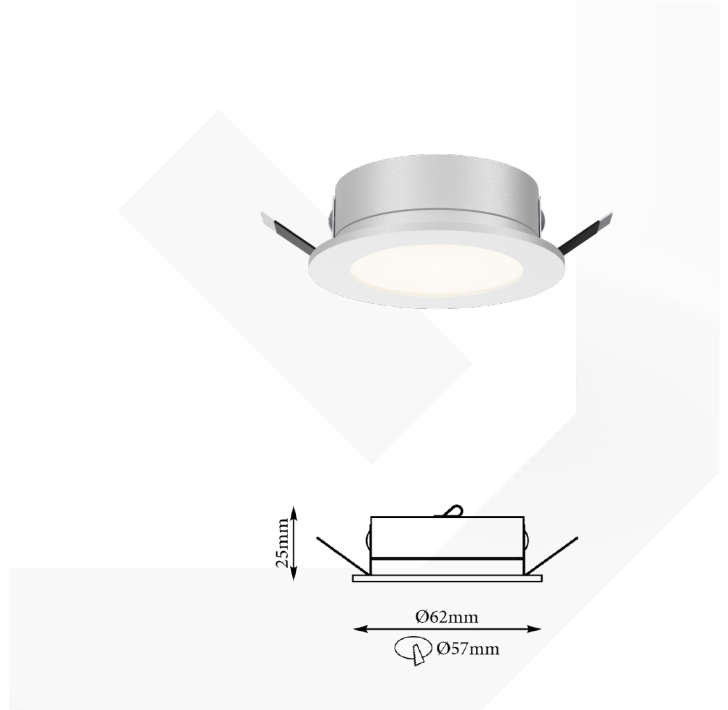
Housing Colors	BL	WH
Color Temperatures	3000K	4000K

Electrical Specification

Input AC Voltage (V)	ACC200-220V
Frequency (Hz)	50 Hz
Driver operating Voltage	ACC200-220V
Power Factor	>0.95
Current THD	<10%
Driver Efficiency	>85%
Inbuilt Surge Protection	3KV

Optical Parameters

Primary Reflector	-
Diffuser	Opal PC
Beam Angle	90°
UGR	<26
Beam Direction	Fixed



Product Material

Aluminium

LED Parameters

CRI	>90
Binning	3 Step MacAdam
LED Lifetime	>50000hrs
Lumen output	323LM@3000K, 345LM@4000K
LED Chip	Mid power LED array 9V-12Vdc/350mA
LED Wattage	4.6W
System Wattage	5.3W

Platforms supported



Ordering Code

	Body Finish	CCT	Beam Angle
Snow mini - 5W	- BL -	3000K -	90°
<small>Modify ordering code from given options:</small>	WH	4000K	

Safety & General Features

Rohs - Lead Free Solder | Wires - Multi Core DC Output wire with connections Fire Retardant DC Wire | Operating Ambient Temperature - 10° to 50°C
Ingress Protection - IP20 | Mounting Parameters - Recess Mounting for Ceiling with Toggle option