

Roxy TL | 12W

Housing Colors	BL	WH
Color Temperatures	3000K	4000K

Electrical Specification

Input AC Voltage (V)	ACC200-220V
Frequency (Hz)	50 Hz
Driver operating Voltage	300mA 36V DC
Power Factor	>0.95
Current THD	<10%
Driver Efficiency	>85%
Inbuilt Surge Protection	3KV

Optical Parameters

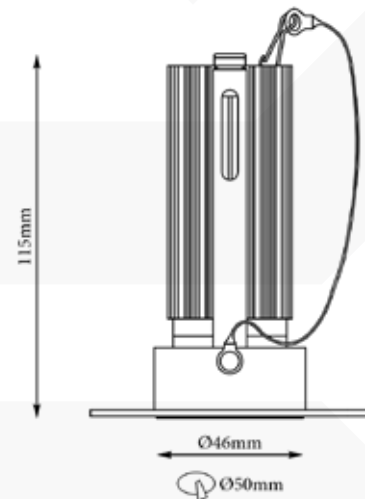
Primary	Lens optics
Secondary Reflector	Aluminium - White(WHS)/Black(BLS) Gunmetal (GM)/Chrome (CH)/Gold (G)
Beam Angle	21°/27°/34°/47°
UGR	<17

Product Material

Aluminum Extrusion Heat Sink & Aluminum Front Ring

LED Parameters

CRI	>90
Binning	3 Step MacAdam
LED Lifetime	>50000hrs
Lumen output (for 27°)	1244LM@3000K, 1305LM@4000K
LED Chip	COB 36Vdc/300mA
LED Wattage	10.6W
System Wattage	12.2W



Ordering Code

Body Finish	CCT	Beam Angle	Sec. Reflector
RXY TL - 12W - BL - 3000K - 21° - WHS			
<small>Modify ordering code from given options:</small>	WH	4000K	27°/34°/47° BLS

Platforms supported



Protocols supported



Safety & General Features

Rohs - Lead Free Solder | Wires - Multi Core DC Output wire with connections Fire Retardant DC Wire | Operating Ambient Temperature - 10° to 50°C
Ingress Protection - IP20 | Mounting Parameters - Recess Mounting for Ceiling with Toggle option