

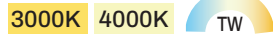
# Orion 2Way | 2x8W



Housing Colors



Color Temperatures



## Electrical Specification

Input AC Voltage (V)	ACC200-220V
Frequency (Hz)	50 Hz
Driver operating Voltage	200mA 36V DC
Power Factor	>0.95
Current THD	<10%
Driver Efficiency	>85%
Inbuilt Surge Protection	3KV

## Optical Parameters

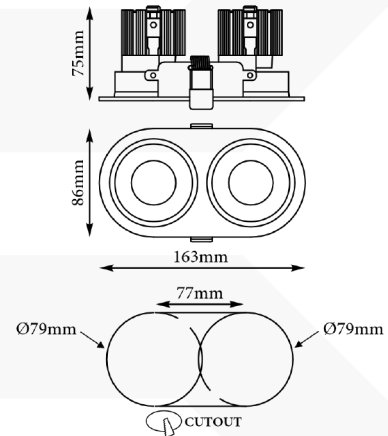
Primary Reflector	Lens optics
Secondary Reflector	Aluminium - White(WHS)/Black(BLS)
Beam Angle	24°/33°/50°
UGR	<15
Beam Direction	Adjustable 25°

## Product Material

Aluminum Extrusion Heat Sink & Aluminum Front Ring

## LED Parameters

CRI	>90
Binning	3 Step MacAdam
LED Lifetime	>50000hrs
Lumen output (for 24°)	2x694LM@3000K, 2x725LM@4000K
LED Chip	COB 36Vdc/180mA
LED Wattage	2x6.8W
System Wattage	2x7.8W



## Ordering Code

Body Finish	CCT	Beam Angle	Sec. Reflector
BL	3000K	24°	WHS
WH	4000K/TW	33°/50°	BLS

Modify ordering code from given options:

## Platforms supported



## Protocols supported



## Safety & General Features

Rohs - Lead Free Solder | Wires - Multi Core DC Output wire with connections Fire Retardant DC Wire | Operating Ambient Temperature - 10° to 50°C  
Ingress Protection - IP20 | Mounting Parameters - Recess Mounting for Ceiling with Toggle option