

Baylight

102W | 135W | 190W



Housing Colors

BL

GR

Color Temperatures

3000K

4000K

Electrical Specification

Input AC Voltage (V)	ACC200-220V
Frequency (Hz)	50 Hz
Power Factor	>0.95
Current THD	<10%
Driver Efficiency	>85%
Inbuilt Surge Protection	3KV

Optical Parameters

Primary Optics	PMMA Lens
Secondary Optics	-
Beam angle	56°/ 73°
Beam Direction	Adjustable

Product Material

Die Cast Aluminium

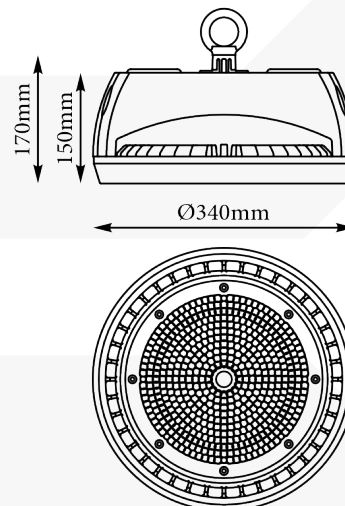
LED Parameters

CRI	>80
Binning	3 Step MacAdam
LED Lifetime	>50,000hrs

Wattage	Output@3000K	Output@4000K	LED used	LED power/System power
102W	12071lm	12788lm	Mid Power LED Array 40-45Vdc/2300mA	89/102.3W
135W	15509lm	16445lm	Mid Power LED Array 40-45Vdc/2900mA	116.3/133.7W
190W	21706lm	23038lm	Mid Power LED Array 40V-45Vdc/4000mA	165/190.4W



Also available in floor-mounted option



Ordering Code

Baylight - 102W - BL - 3000K - 56°

Modify ordering code from given options:

135/190W GR 4000K 73°

Safety & General Features

Rohs - Lead Free Solder | Operating Ambient Temperature - 0° to 50°C | Ingress Protection - IP65