

# Orion TL | 15W



Housing Colors

BL

WH

Color Temperatures

3000K

4000K

TW

## Electrical Specification

Input AC Voltage (V)	ACC200-220V
Frequency (Hz)	50 Hz
Driver operating Voltage	350mA 36V DC
Power Factor	>0.95
Current THD	<10%
Driver Efficiency	>85%
Inbuilt Surge Protection	3KV

## Optical Parameters

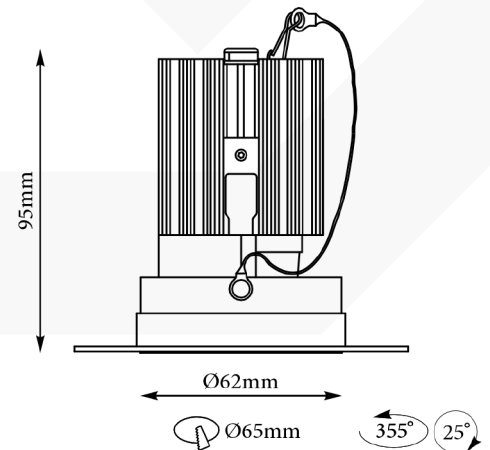
Primary	Lens optics
Secondary Reflector	Aluminium - White(WHS)/Black(BLS)
Beam Angle	24°/33°/50°
UGR	<17'
Beam Direction	Adjustable 25°

## Product Material

Aluminum Extrusion Heat Sink & Aluminum Front Ring

## LED Parameters

CRI	>90
Binning	3 Step MacAdam
LED Lifetime	>50000hrs
Lumen output (for 24°)	1258LM@3000K, 1317LM@4000K
LED Chip	COB 36Vdc/350mA
LED Wattage	12.9W
System Wattage	14.8W



## Ordering Code

Body Finish	CCT	Beam Angle	Sec. Reflector
ORI TL - 15W - BL - 3000K - 24° - WHS			
<small>Modify ordering code from given options:</small>			
WH	4000K / TW	33°/50°	BLS

## Platforms supported



## Protocols supported



## Safety & General Features

Rohs - Lead Free Solder | Wires - Multi Core DC Output wire with connections Fire Retardant DC Wire | Operating Ambient Temperature - 10° to 50°C  
Ingress Protection - IP20 | Mounting Parameters - Recess Mounting for Ceiling with Toggle option