

# Roxy AR | 12W



Housing Colors

BL

WH

Color Temperatures

3000K

4000K

## Electrical Specification

Input AC Voltage (V)	ACC200-220V
Frequency (Hz)	50 Hz
Driver operating Voltage	300mA 36V DC
Power Factor	>0.95
Current THD	<10%
Driver Efficiency	>85%
Inbuilt Surge Protection	3KV

## Optical Parameters

Primary Reflector	Lens optics
Secondary Reflector	Aluminium - White(WHS)/Black(BLS) Gunmetal (GM)/Chrome (CH)/Gold (G)
Beam Angle	21°/27°/34°/47°
UGR	<16
Beam Direction	Adjustable

## Product Material

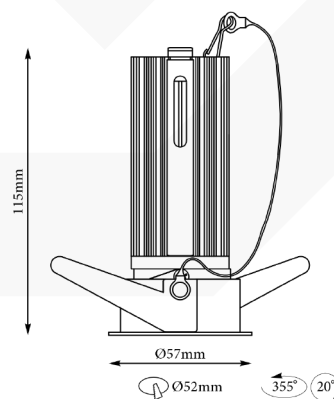
Aluminum Extrusion Heat Sink & Aluminum Front Ring

## LED Parameters

CRI	>90
Binning	3 Step MacAdam
LED Lifetime	>50000hrs
Lumen output (for 34°)	1258LM@3000K, 1319LM@4000K
LED Chip	COB 36Vdc/300mA
LED Wattage	10.5W
System Wattage	12.1W

## Ordering Code

	Body Finish	CCT	Beam Angle	Sec. Reflector
RXY AR - 12W	<u>BL</u>	<u>3000K</u>	<u>21°</u>	<u>WHS</u>
<small>Modify ordering code from given options:</small>	WH	4000K	27°/34°/47°	BLS



## Platforms supported

CASAMBI

tuya



## Protocols supported

zigbee



WiFi

## Safety & General Features

Rohs - Lead Free Solder | Wires - Multi Core DC Output wire with connections Fire Retardant DC Wire | Operating Ambient Temperature - 10° to 50°C  
Ingress Protection - IP20 | Mounting Parameters - Recess Mounting for Ceiling with Toggle option